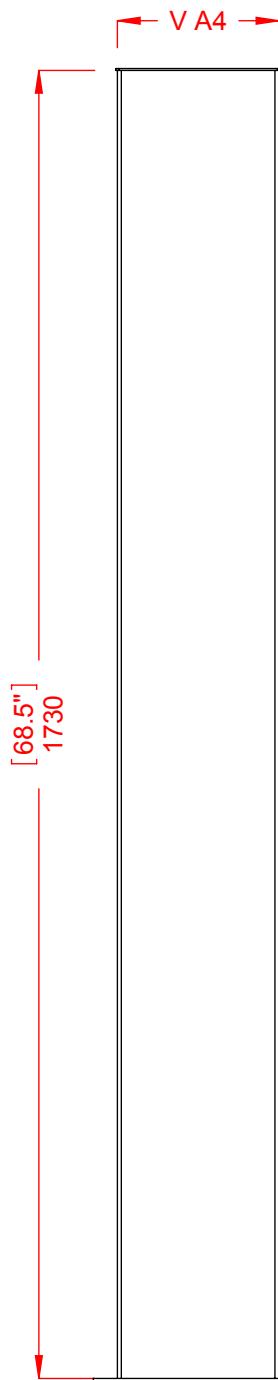


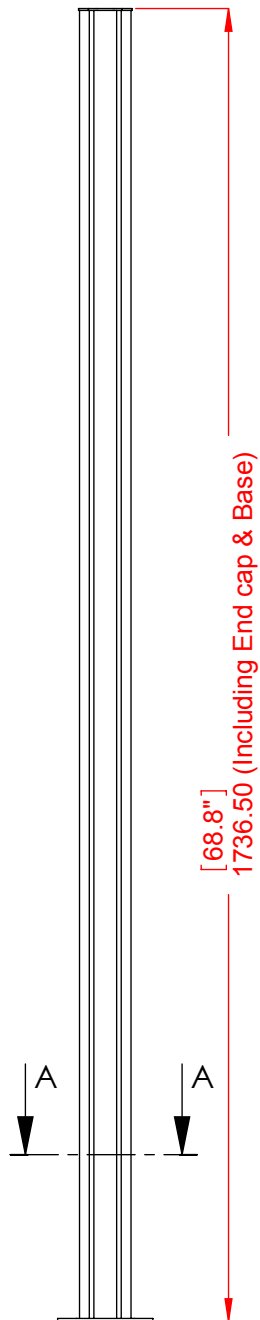


Double Sided Pylons

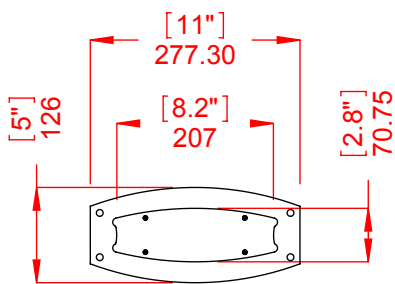
Vista System offers a range of bases and end caps that utilize the built in screw bosses allowing all sign holders to be assembled using only a screwdriver. This feature of the system is used to create freestanding convex, double-sided signs to be used with standard sign substrates, without interior illumination. Great for show rooms, lobbies, parking lots, airports, hospitals, office buildings, campuses, libraries and more!



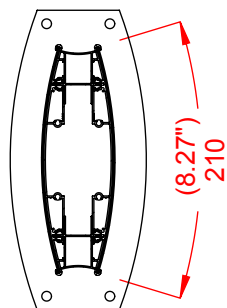
Front view



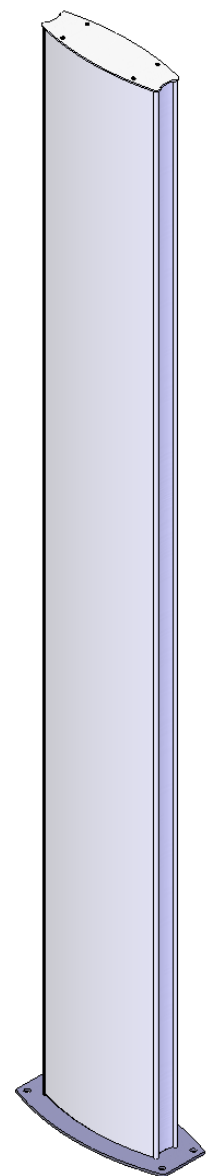
Side view



Top view



Section A-A



Isometric view

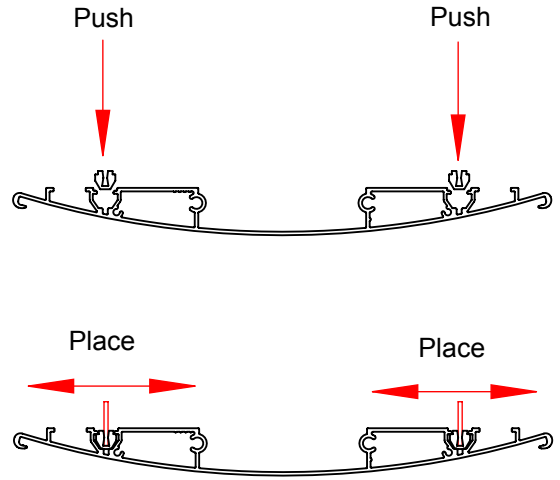
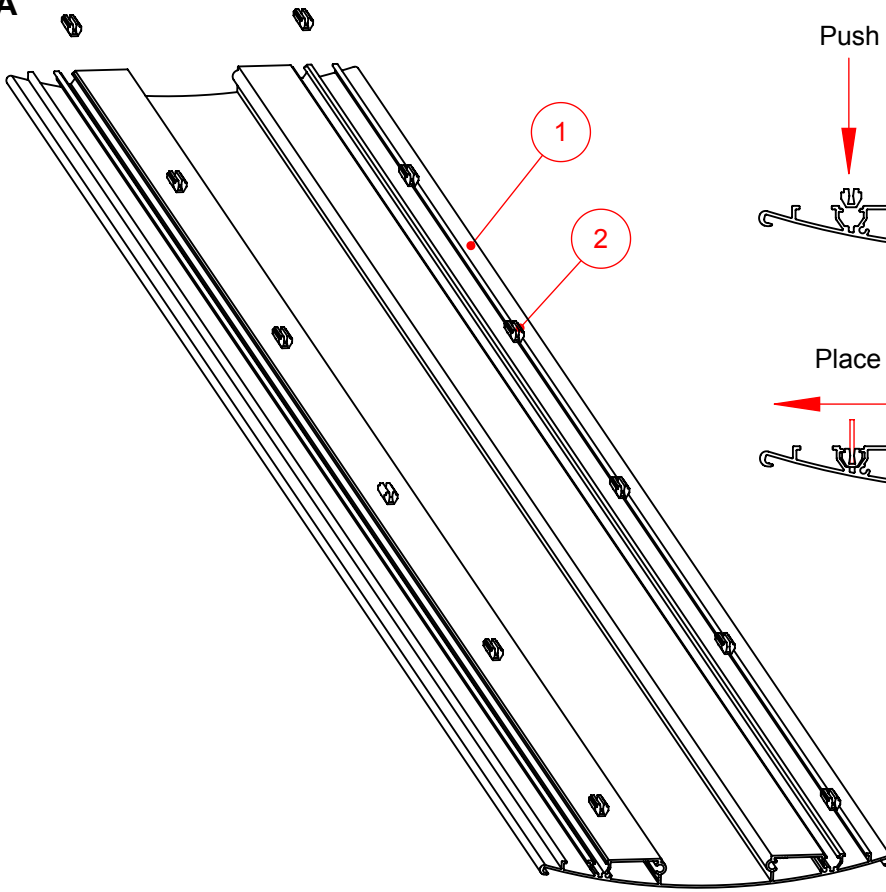


Product Families	Double sided pylon	Designer: Ravit Cohen
Model	Double sided pylon- Wide design	Date: 27/1/2008
Catalog P/N	DSW2	

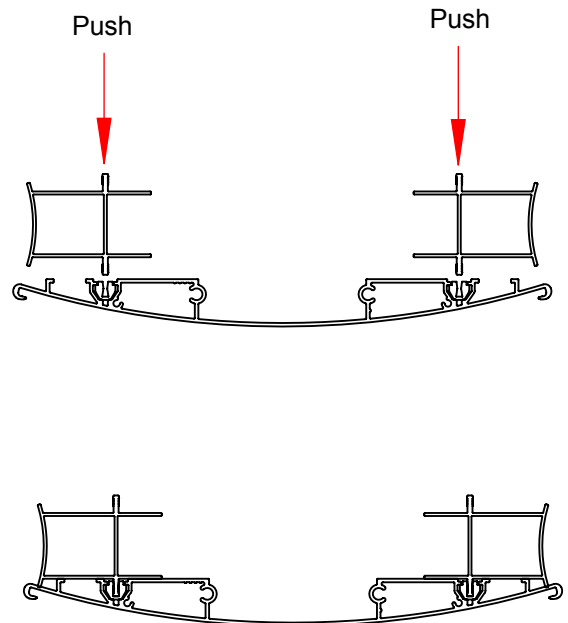
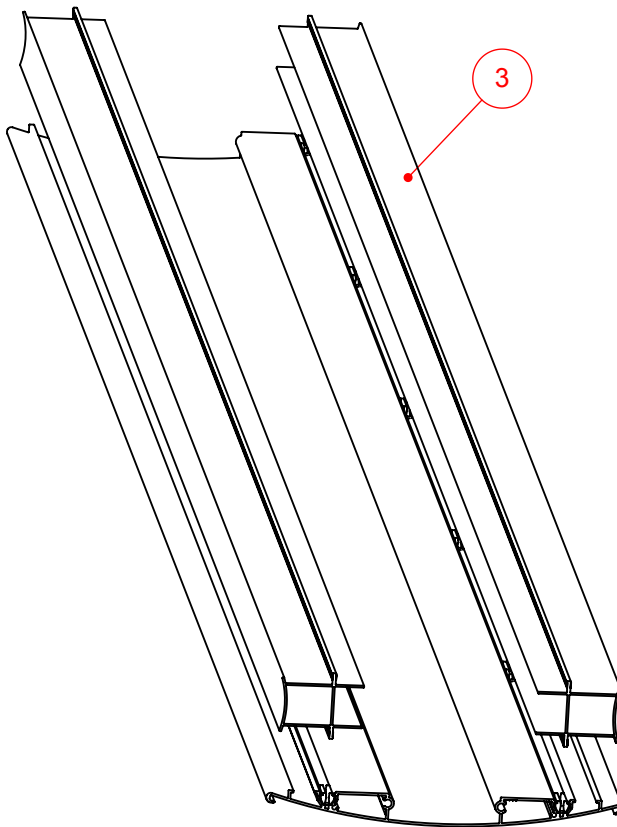
Proprietary and confidential: The information contained in this drawing is the sole property of Techsign advanced sign systems LTD (manufacturer of Vista system). Any reproduction; copying; distribution or any other use in part or as a whole without the written permission of Techsign is prohibited. This ban includes any use by any third party that did not receive this information from Techsign advanced sign systems LTD.

Measurements in millimeters. Measurements have been rounded upwards to the near decimal point.

Step A



Step B

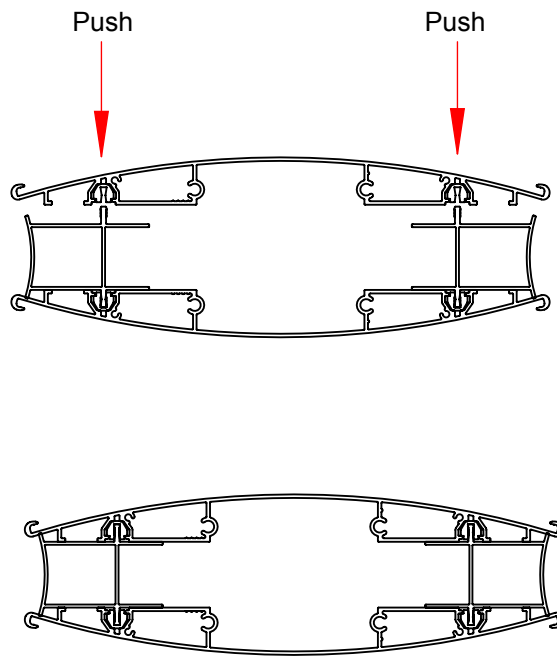
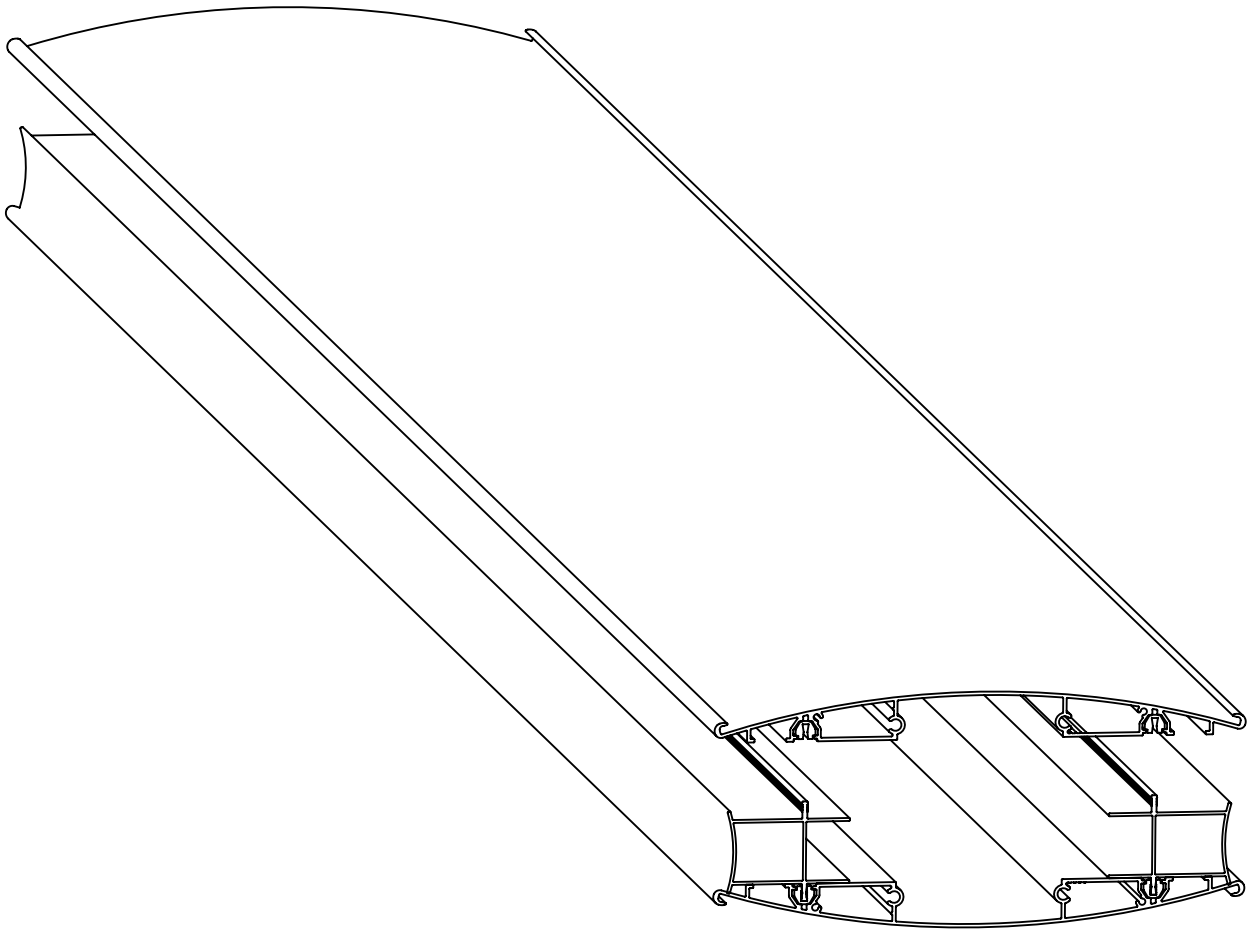


Product Families	Double sided pylon	Designer: Ravit Cohen
Model	Double sided pylon- Wide design	Date: 27/1/2008
Catalog P/N	DSW2	

Proprietary and confidential: The information contained in this drawing is the sole property of Techsign advanced sign systems LTD (manufacturer of Vista system). Any reproduction; copying; distribution or any other use in part or as a whole without the written permission of Techsign is prohibited. This ban includes any use by any third party that did not receive this information from Techsign advanced sign systems LTD.

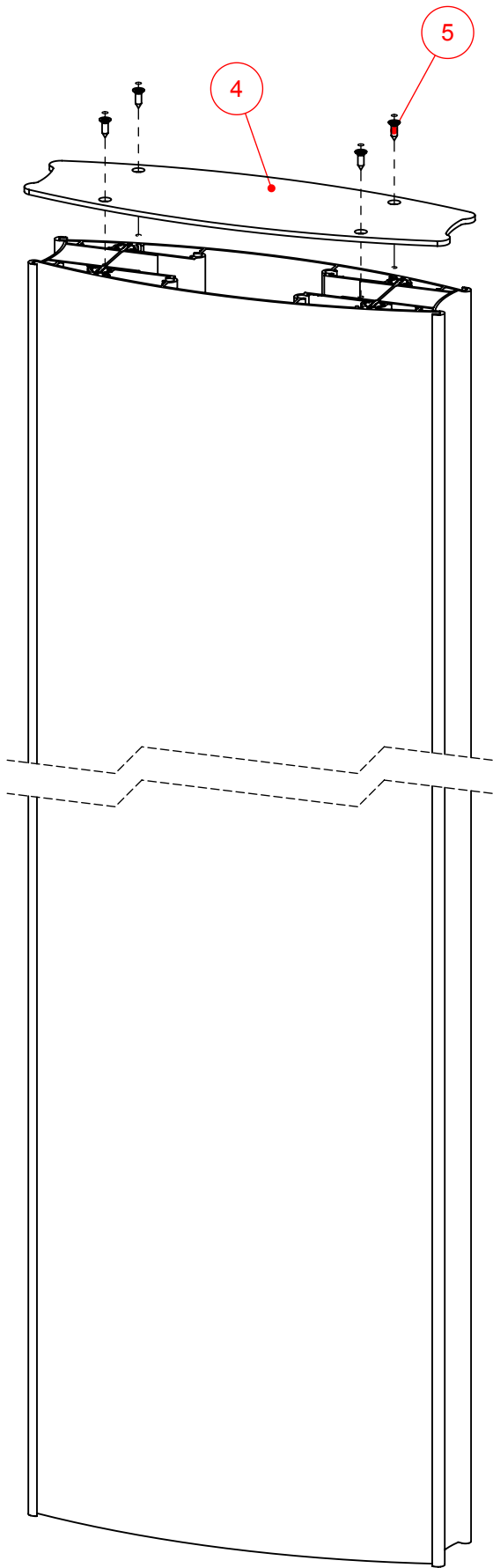
Measurements in millimeters. Measurements have been rounded upwards to the near decimal point.

Step C

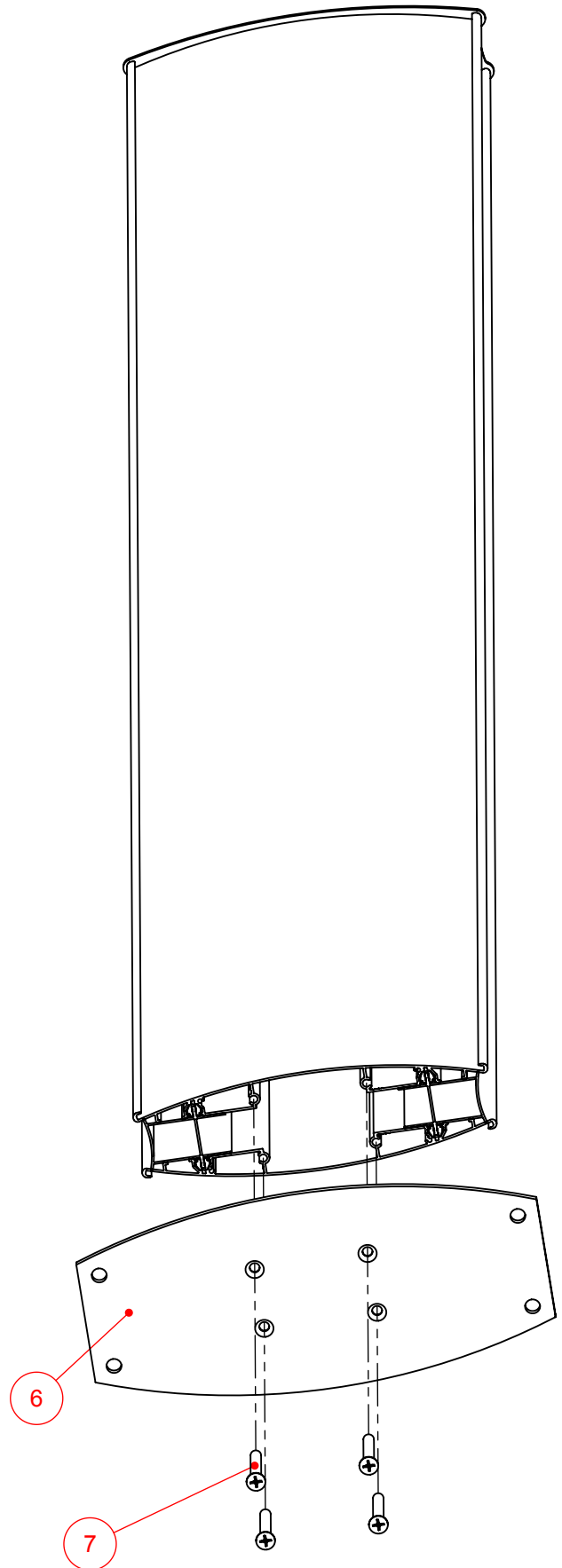


Product Families	Double sided pylon	Designer: Ravit Cohen
Model	Double sided pylon- Wide design	Date: 27/1/2008
Catalog P/N	DSW2	Measurements in millimeters. Measurements have been rounded upwards to the near decimal point.
<p>Proprietary and confidential: The information contained in this drawing is the sole property of Techsign advanced sign systems LTD (manufacturer of Vista system). Any reproduction; copying; distribution or any other use in part or as a whole without the written permission of Techsign is prohibited. This ban includes any use by any third party that did not receive this information from Techsign advanced sign systems LTD.</p>		

Step D



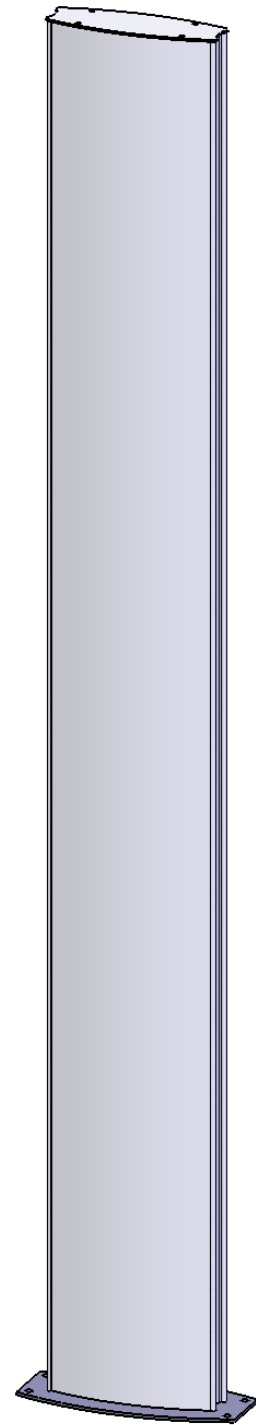
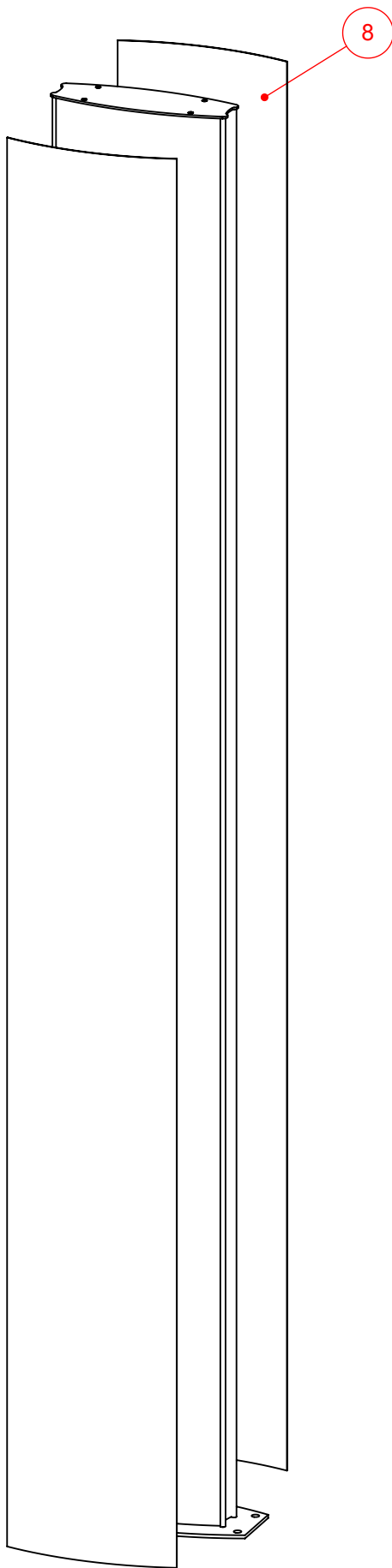
Step E



Product Families	Double sided pylon	Designer: Ravit Cohen
Model	Double sided pylon- Wide design	Date: 27/1/2008
Catalog P/N	DSW5SA	Measurements in millimeters. Measurements have been rounded upwards to the near decimal point.

Proprietary and confidential: The information contained in this drawing is the sole property of Techsign advanced sign systems LTD (manufacturer of Vista system). Any reproduction; copying; distribution or any other use in part or as a whole without the written permission of Techsign is prohibited. This ban includes any use by any third party that did not receive this information from Techsign advanced sign systems LTD.

Step F



Isometric view

ITEM NO.	PART NUMBER	QTY.
1	VA4	2
2	CWE	
3	PS30	2
4	DSECA4S	1
5	TS438	4
6	BA4S	1
7	TS142	4
8	CCA4	2



Product Families Double sided pylon Designer: Ravit Cohen

Model Double sided pylon- Wide design Date: 27/1/2008

Catalog P/N DSW2

Proprietary and confidential: The information contained in this drawing is the sole property of Techsign advanced sign systems LTD (manufacturer of Vista system). Any reproduction; copying; distribution or any other use in part or as a whole without the written permission of Techsign is prohibited. This ban includes any use by any third party that did not receive this information from Techsign advanced sign systems LTD.

Measurements in millimeters. Measurements have been rounded upwards to the near decimal point.